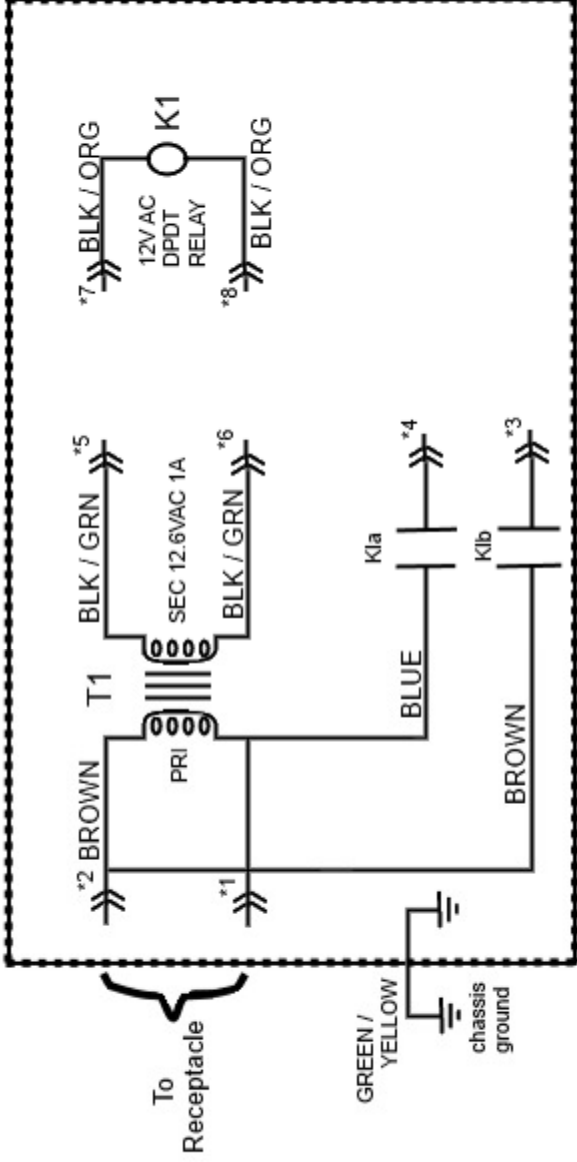


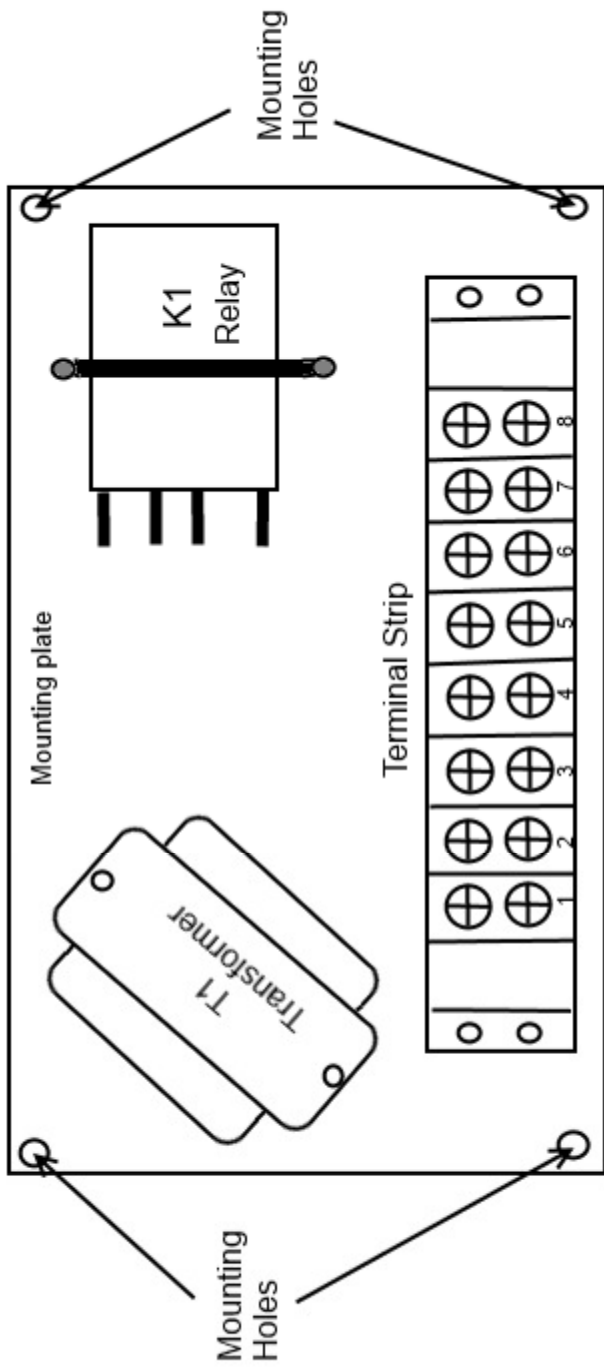
LOW VOLTAGE INTERLOCK CIRCUIT

Interlock is activated and deactivated via the cover safety switch at rear door and Emergency Stop switch on front panel



* TERMINAL STRIP LOCATION

Notes:
 12VAC DPDT (Double pull Double Throw) relay contacts are rate at 13amps
 All power wirings uses #16 gage wire
 All control wiring uses #20 gage wire



- Terminal Strip connections
- 1 & 2 120V AC Input
 - 3 & 4 120V AC Output
 - 5 & 6 12.6V AC Transformer Output
 - 7 & 8 Relay Coil