

SHOOTER-II

High Speed In-Line Tab Inserter

The **Shooter-II** is designed to provide fast, accurate tab insertion at high speeds. The tabber can be mounted to your equipment or be free standing for mobility.

The **Shooter-II** accurately inserts paper tabs into the receding delivery pile of sheeters, presses, paper board machines and paper converting equipment.

The **Shooter-II** can insert tabs at speeds of up to 3 tabs per second. It can be easily connected to your equipment by using a micro switch, universal electronic coupling pick-up or our optional infrared reflective opto sensor.

APPLICATIONS

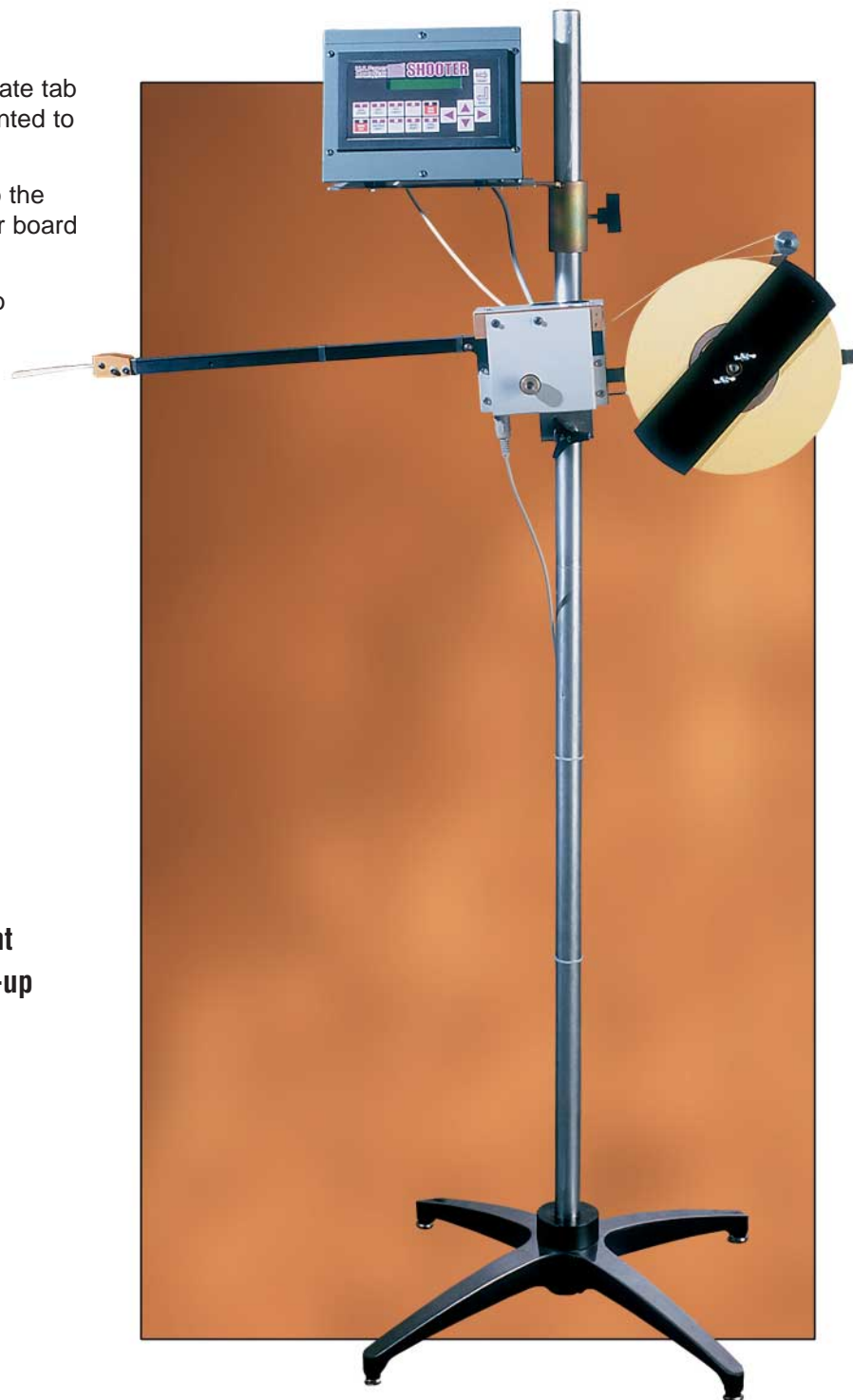
- In-line batching at high speeds
- Maximize press time and profit
- Stop shortages and overages
- Improve customer satisfaction
- Provide competitive quotes

STANDARD FEATURES

- Tab inserting at speeds of up to 3 tabs per second
- Counting speeds equal to your equipment
- Micro switch or electronic coupling pick-up
- Count erase
- Total and batch counts
- Variable tape lengths
- Variable knife cut delays
- Large back lit LCD display



MADE IN THE U.S.A.



**U.S. Paper
Counters**
Sheet Counting Specialists



"You can count on us!"

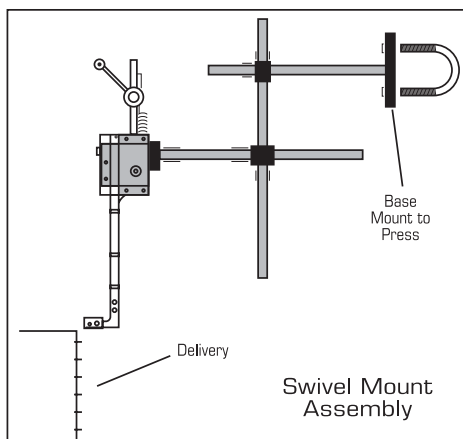
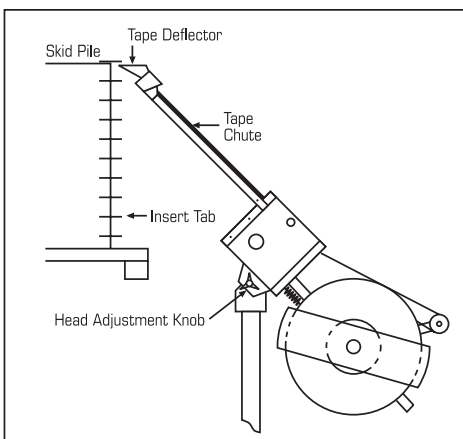
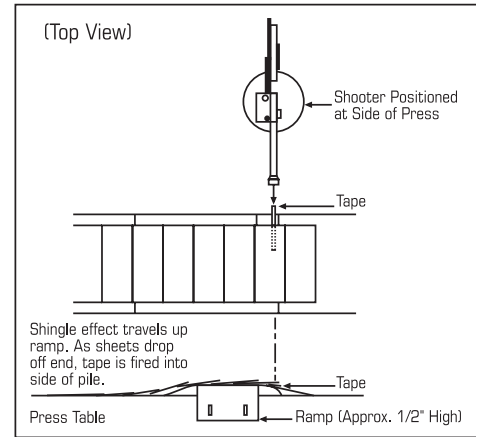
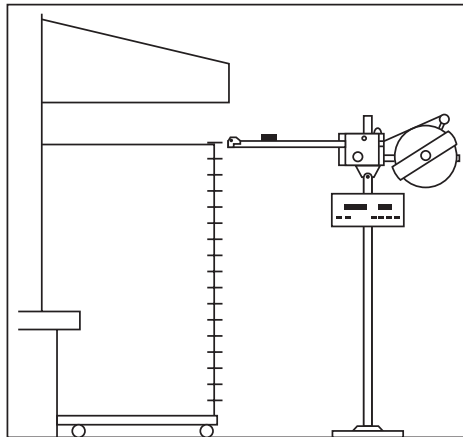
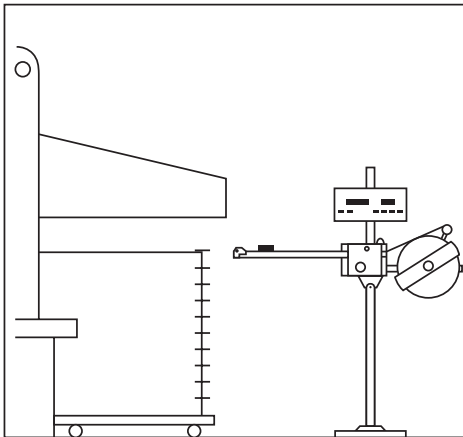
PO Box 837 • 138 Elizabeth Terrace • Cairo, NY 12413, USA
US Sales: Toll Free - 1-888-407-3966
Phone: 518-622-2600
Fax: 518-622-2695
E-mail: uspc@wecount.com
Visit us online at www.wecount.com

SHOOTER-II

Customize your SHOOTER-II to further enhance productivity with these options:

- Infrared Reflective Opto Sensor
- 90° Angle Tape Chute
- Swivel Bracket Mount
- Custom Tape Chute Lengths
- Distribution BOX (Allows 3 or more tabbing heads to be operated by one control unit)
- Stagger Tabbing
- Sharp-Shooter II Option with Spoilage Marker/Flagger
- Additional Tabbing Head
- Additional Base Stand or Swivel Mount

Examples of Shooter-II Positions



STANDARD SPECIFICATIONS:

- Net Weight.....40 lbs (18 Kg)
- Maximum Height
with standard
pedestal60" (152 cm)
- Minimum Height
with standard
pedestal20" (51 cm)
- Electrical.....110V AC, 3 AMP or
220/240V AC, 50/60 Hz



PO Box 837 • 138 Elizabeth Terrace • Cairo, NY 12413
 US Sales: Toll Free - 1-888-407-3966
 Phone: 518-622-2600 • Fax: 518-622-2695
 E-mail: uspc@wecount.com
 Visit us online at www.wecount.com

Authorized Distributor/Agent: